

wedi in 4-Steps

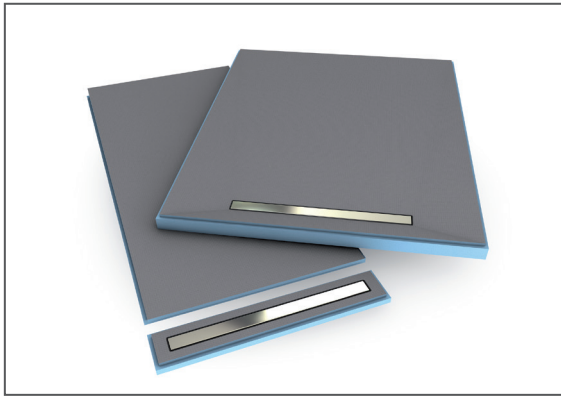
wedi Fundo Riolito neo Shower Base System Cheat Sheets



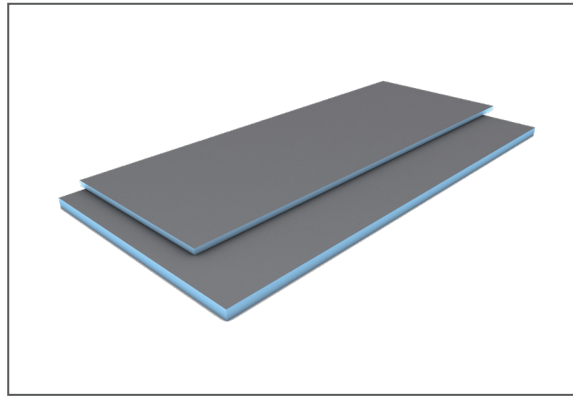
wedi in 4-Steps

wedi Fundo Riolito neo Shower Base System Cheat Sheets

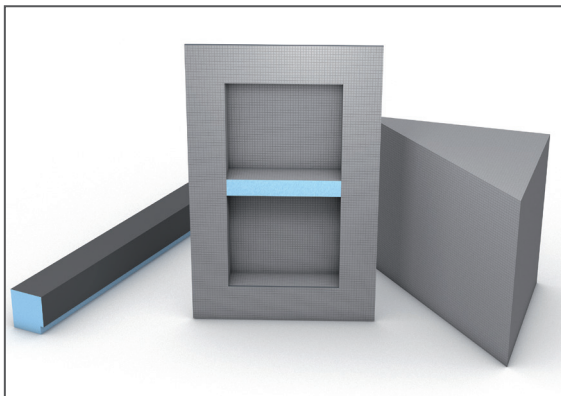
Part 1: Shower Bases



Part 2: Building Panels



Part 3: Prefabricated Modules



Part 4: Installation Accessories



wedi in 4-Steps: Step 1

Choosing your Fundo Riolito neo Shower Base

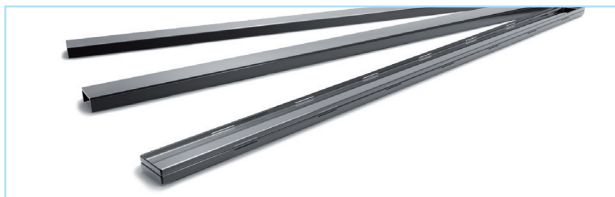
wedi Fundo Riolito Shower Bases

- The drain assembly is included and attaches to the 2 in. PVC or ABS waste pipe. Linear drain cover is sold separately; see options below.
- For installation videos, go to: www.youtube.com/wedicorp

Tile Size and Setting Materials Instructions

When tiling with a square size of 2 in. × 2 in. (50.8 × 50.8 mm) or more, install using a polymer modified cement based tile adhesive and grout. When tiling with a square size of less than 2 in. × 2 in. (50.8 × 50.8 mm), install using a polymer modified cement based tile adhesive and use a 100% solids epoxy grout. When tiling with a square size of 1 in. × 1 in. (25.4 × 25.4 mm) or less, install using a 100% solids epoxy tile adhesive and grout. **It's important to note that installation steps are different for each type of shower base, so read install manuals accordingly within our Technical Handbook.**

Riolito neo and Riolito neo Modular Cover Plates



1 5/8 in. 27 5/8 in. x 3/4 in.

676797048 - Standard

676797049 - Exclusive

676797050 - Tileable

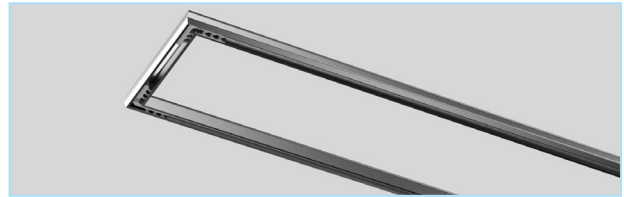
1 5/8 in. x 43 1/4 in. x 3/4 in.

676797045 - Standard

676797046 - Exclusive

676797047 - Tileable

Riolito neo Channel Frame



2 1/2 in. x 27 5/8 in. x 1/4 in.

676800061 – For 28 in. channel

2 1/2 in. x 43 1/4 in. x 1/4 in.

676800064 – For 43 3/4 in. channel

wedi in 4-Steps: Step 1

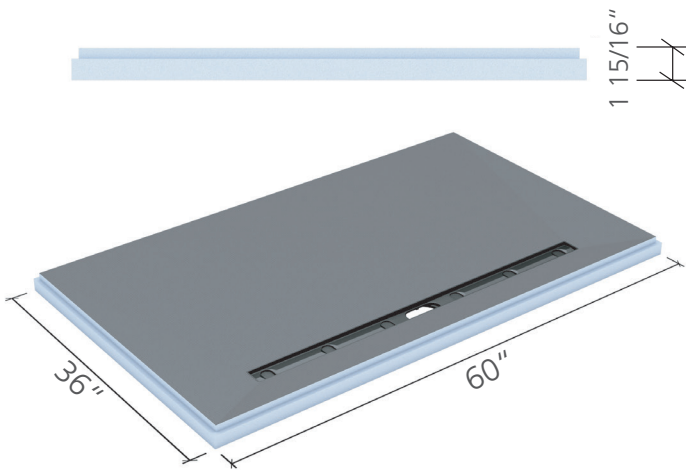
Choosing your Fundo Riolito neo Shower Base

wedi Fundo Riolito neo, with channel drain

36 in. x 60 in. x 1 15/16 in.

Channel Length: 43 5/16 in.

075100016 (4-way slope)

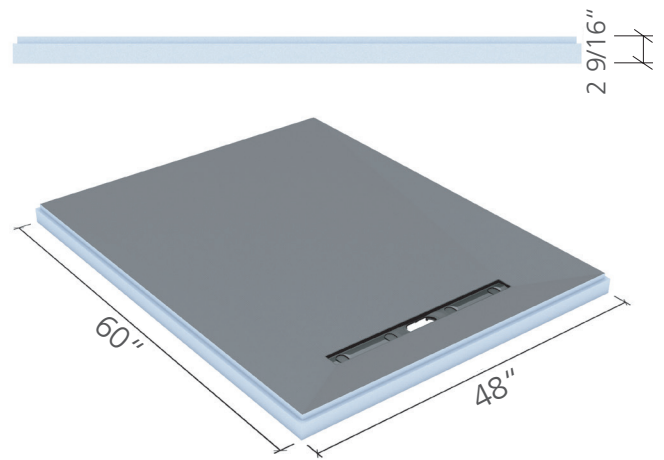


wedi Fundo Riolito neo, with channel drain

48 in. x 60 in. x 2 9/16 in.

Channel Length: 27 1/2 in.

075100012 (4-way slope)

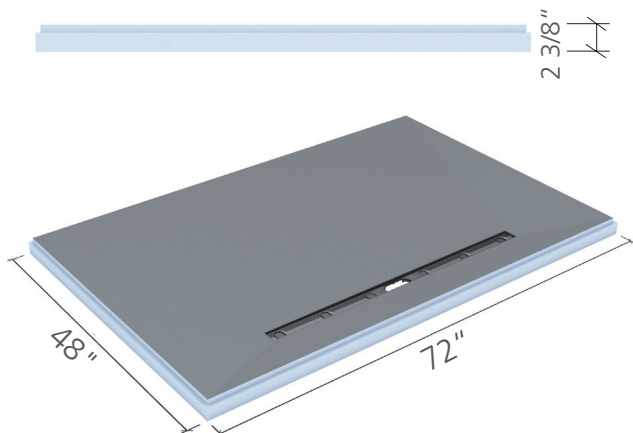


wedi Fundo Riolito neo, with channel drain

48 in. x 72 in. x (2 3/8 in.)

Channel Length: 43 5/16 in.

0751000014 (4-way slope)



wedi in 4-Steps: Step 1

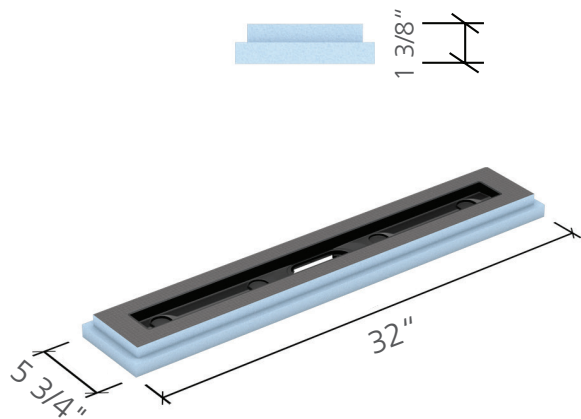
Choosing your Fundo Riolito Shower Base

wedi Fundo Riolito neo Modular, line module

32 in. x 5 3/4 in.

Channel Length: 27 1/2 in.

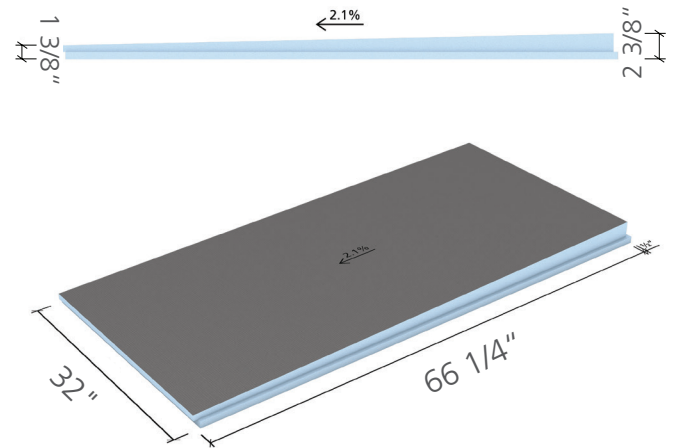
075100052



wedi Fundo Riolito neo Modular, ext. module

32 in. x 66 3/4 in.

075100050

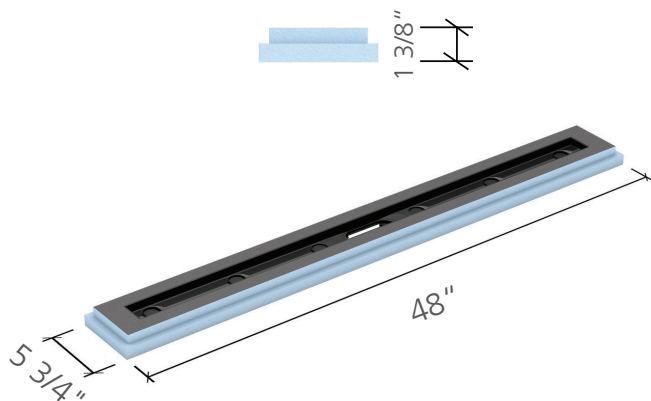


wedi Fundo Riolito neo Modular, line module

48 in. x 5 3/4 in.

Channel Length: 43 5/16 in.

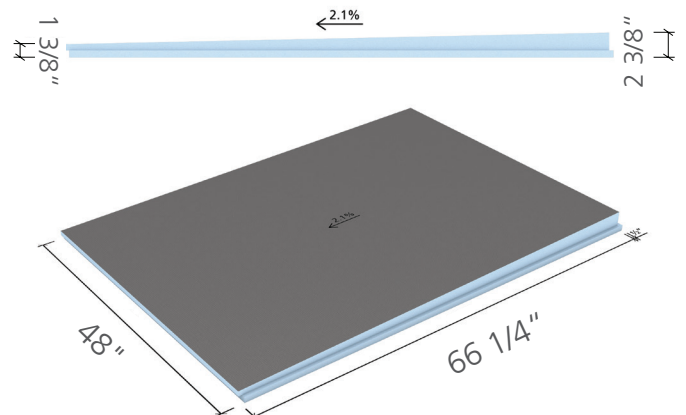
075100053



wedi Fundo Riolito neo Modular, ext. module

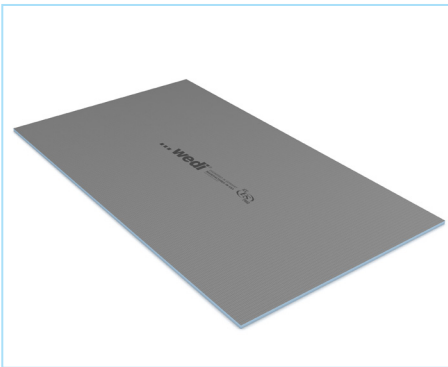
48 in. x 66 3/4 in.

075100051

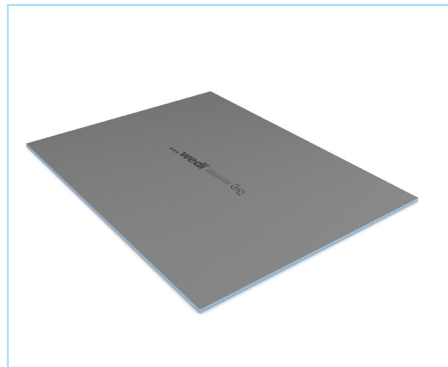


wedi in 4-Steps: Step 2

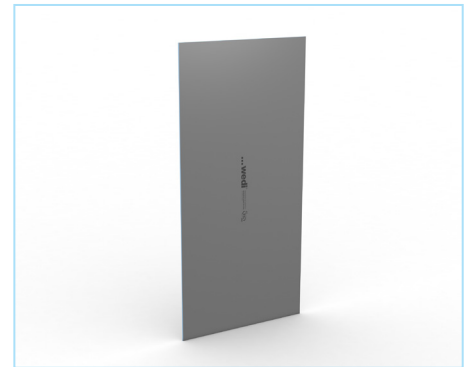
Choosing your wedi Building Panel



36 in. x 60 in. x 1/2 in.
US8000017



48 in. x 60 in. x 1/2 in.
US8000014



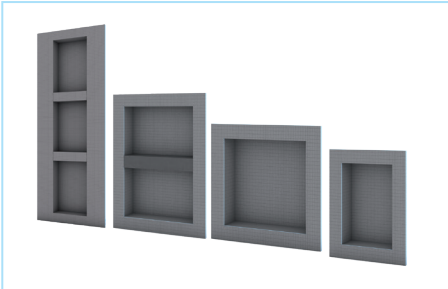
48 in. x 96 in. x 1/2 in.
US8000010 (4 count)
US8000015 (pallet)

- Perfect for most small shower/tub applications.
- Have faster installations with less seams and less usage of sealant and fasteners.
- Have faster installations with less seams and less usage of sealant and fasteners.

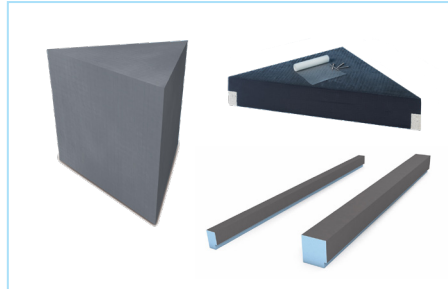
Main Application of wedi Building Panels	Length x Width x Height	Item #
Backsplash, tub decks, floors, under mosaic strips in field tile designs	24 in. x 48 in. x 1/8 in.	US8000006
Tub decks, floors, with electric radiant heat (be sure to use wedi Tabless Washer Fastener Kit with these Building Panels)	48 in. x 60 in. x 1/4 in.	US8000013
Wall and floor panel	36 in. x 60 in. x 1/2 in.	US8000017
Wall and floor panel	48 in. x 60 in. x 1/2 in.	US8000014
Wall panel (4 count)	48 in. x 96 in. x 1/2 in.	US8000010
Wall panel (pallet)	48 in. x 96 in. x 1/2 in.	US8000015
Wall panel, aligns with 5/8 in. drywall	48 in. x 60 in. x 5/8 in.	US8000011
Floor panel, aligns with Fundo Ligno bases to create extension to bathroom floor	48 in. x 48 in. x 3/4 in.	US8000007
Wall panel, lines up with floated walls	48 in. x 60 in. x 1 in.	US8000012
Constructing benches, floors to line up with Fundo Primo into bathroom	48 in. x 48 in. x 1 1/2 in.	US8000008
Constructing benches and suspended seats, freestanding walls and partitions	48 in. x 48 in. x 2 in.	US8000009
Constructing benches and suspended seats, freestanding walls and partitions	48 in. x 96 in. x 2 in.	US8000016

wedi in 4-Steps: Step 3

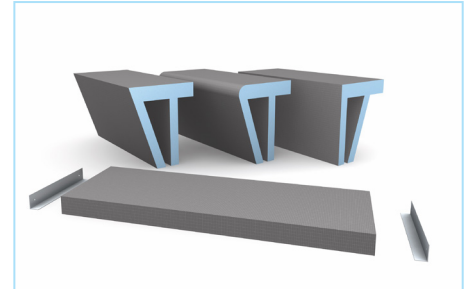
Choosing your wedi Prefabricated Modules



wedi Shower Niches



wedi Shower Seats & Curbs



wedi Sanoasa Shower Benches

	Length x Width x Height Ext.	Length x Width x Height Int.	Item #
wedi Shower Niche	16 in. x 8 in. x 4 in.	12 in. x 4 in. x 3 ½ in.	US3000003
wedi Shower Niche	16 in. x 12 in. x 4 in.	12 in. x 8 in. x 3 ½ in.	US3000004
wedi Shower Niche	16 in. x 16 in. x 4 in.	12 in. x 12 in. x 3 ½ in.	US3000005
wedi Shower Niche	16 in. x 22 in. x 4 in.	12 in. x 18 in. x 3 ½ in. (incl. removable shelf)	US3000007
wedi Shower Niche	16 in. x 42 in. x 4 in.	12 in. x 38 ¼ in. x 3 ½ in. (incl. 2 removable shelves)	US3000024
wedi Shower Niche	16 in. x 30 in. x 3 ½ in.	12 in. x 26 in. x 3 in. (incl. removable shelf; peaked top)	US3000016
wedi Shower Seat M	17 in. x 17 in. (wall sides) x 4 in. – Suspended seat		US3000001
wedi Shower Seat L	24 in. x 24 in. (wall sides) x 4 in. – Suspended seat		US3000002
wedi Triangle Seat Full Foam	23 in. x 23 in. (sides) x 20 in. (this is wall or floor adhered)		073784101
wedi Curb Cover	5 in. x 4 1/2 in. x 60 in. (W x H x L)		US3000008
wedi Curb Cover	5 in. x 4 1/2 in. x 96 in. (W x H x L)		US3000010
wedi Curb	5 in. x 4 1/2 in. x 60 in. (W x H x L)		US3000039
wedi Curb	5 in. x 4 1/2 in. x 96 in. (W x H x L)		US3000041
wedi Curb, Lean	2 in. x 3 1/2 in. x 60 in. (W x H x L)		US3000038
wedi Curb, Lean	2 in. x 3 1/2 in. x 96 in. (W x H x L)		US3000040
wedi Curb AT	4 1/2 in. x 5 in. x 60 in. (W x H x L)		US3000048
wedi Curb AT, Lean	2 in. x 3 1/2 in. x 60 in. (W x H x L)		US3000049
wedi Sanoasa Shower Bench 1 M	≈35 in. x 18 in. x 15 in.		US3000042
wedi Sanoasa Shower Bench 1 L	≈47 in. x 18 in. x 15 in.		US3000043
wedi Sanoasa Shower Bench 2 M	≈35 in. x 18 in. x 15 in.		US3000044
wedi Sanoasa Shower Bench 2 L	≈47 in. x 18 in. x 15 in.		US3000045
wedi Sanoasa Shower Bench 3 M	≈35 in. x 18 in. x 15 in.		US3000046
wedi Sanoasa Shower Bench 3 L	≈47 in. x 18 in. x 15 in.		US3000047
wedi Sanoasa Shower Bench 4	47 1/4 in. x 15 in. x 3 1/8 in. (straight design) – Suspended bench		US3000000
wedi Sanoasa Floating Bench	Multiple sizes, special order, call wedi Technical Sales Support Rep for more information		076400760

wedi in 4-Steps: Step 4

Choosing your Installation Accessories

wedi Joint Sealant and Corner Putty Knife

Additional Notes	Usage Amount / Optional or Needed	Contents	Unit	Item #
wedi Joint Sealant; 12 per case	1-1.2 oz. per ft ² of wedi building panel on walls covers your needs for shower wall, base and curb installation; additional sealant is needed for seats, benches, niches,etc.	10.5 oz.	1 Cartridge	US5000013
wedi Joint Sealant; 20 per case	1-1.2 oz. per ft ² of wedi building panel on walls covers your needs for shower wall, base and curb installation; additional sealant is needed for seats, benches, niches,etc.	20 oz.	1 Sausage	US5000010
wedi Corner Putty Knife	For wedi shower system installations	1 pc	1 pc	US5000044



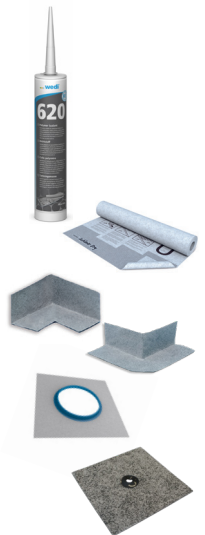
wedi Fastener Kit and wedi Tabless Washer Fastener Kit

Additional Notes	Usage Amount / Optional or Needed	Unit	Item #
wedi Fastener Kit; 100 wedi Coarse Thread Screws 1 5/8 in. (41 1/2 mm) 100 wedi Tab Steel Washers	Plan to use 1 wedi screw and washer per ft ² of wedi Building Panel	1 pc	US5000070
wedi Tabless Washer Fastener Kit; 100 wedi Coarse Thread Screws 1 5/8 in. 100 wedi Tabless Steel Washers	Use for flooring with 1/4 in. or thinner panel as well as the wedi Vapor 85 Building Panel. Plan to use 1 wedi screw and washer per ft ² of wedi Building Panel	1 pc	US5000086



wedi Sealant 620*, Subliner Dry Mat, Inside/Outside Corners and Flexi Collars

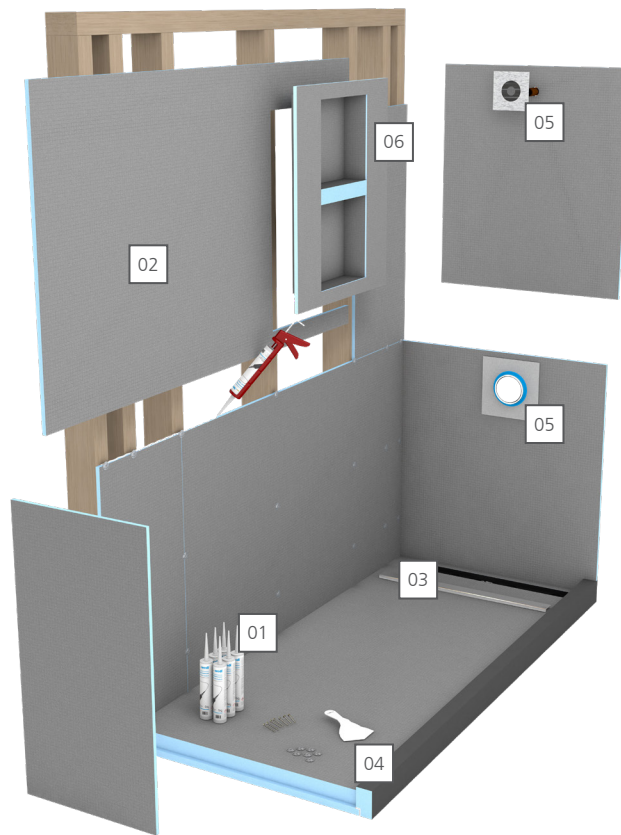
Additional Notes	Usage Amount / Optional or Needed	Dimensions	Unit	Item #
wedi Sealant 620; 12 per case	1.5 linear feet of 2 in. overlap; or flashing up wall per ounce	10.5 oz.	1 Cartridge	US5000088
wedi Sealant 620; 20 per case	1.5 linear feet of 2 in. overlap; or flashing up wall per ounce	20 oz.	1 Sausage	US5000083
Waterproofing Sheet Membrane (width x roll length listed)	Minimum 36 in. in all directions outside of the shower, 4 in. overlap onto shower base	39 in. x 16 ft.	1 Roll	US5000001
Subliner Dry Inside Corner	Apply to any inside corner within 36 in. of the shower	4 3/4 in. x 4 3/4 in. x 2 1/4 in.	2 pcs/bag	US5000007
Subliner Dry Outside Corner	Apply to any outside corner within 36 in. of the shower; inc. between base & floor	4 3/4 in. x 4 3/4 in. x 2 1/4 in.	2 pcs/bag	US5000008
Sealing Collar for 1/2 in. to 3/4 in. plumbing pipes & protrusions	Used for any 1/2 in. - 3/4 in. pipe protrusion within the shower	4 3/4 in. x 4 3/4 in.	1 pc	US5000033
Mixing Valve Flexi Collar	Used for any valve with diameter of 4 in.	ø 3 15/16 in.	1 pc	US5000000



wedi Shower Kits

The total shower solution

Simplify ordering with single kit option. Select your shower base size and the rest is in the box! Items found in each kit are shown below*.



- | | |
|---|--|
| <p>01 8 10.5 oz tubes of wedi Joint Sealant</p> | <p>04 1 wedi Curb, Lean
1 Fastener Kit (1 screws/washers 100 count box)
1 Corner Putty Knife
1 Riolito Drain Kit</p> |
| <p>02 6 pieces of wedi 36 in. x 60 in. x 1/2 in. Building Panels</p> | |
| <p>03 1 Fundo Riolito neo 32 in. Line Module
1 Fundo Riolito neo 32 in. Extension Module
1 Fundo Riolito Standard Cover Plate</p> | <p>05 1 Mixing Valve Flexi Collar
1 Flexi Collar</p> <p>06 Optional Shower Niche (purchased separately)</p> |

*Note, there is enough panel included in the kit for 3 walls 80 in. tall.

Before tile installation over wedi Fundo Riolito neo

All visible joints or seams in the installation are visibly covered and reinforced with wedi Joint Sealant that is applied flat over the seams. Coverage of wedi Joint Sealant over all seams should be at least 1 in. (25.4 mm) on either side of the seam. wedi Joint Sealant should be no less than 1/16 in. (1.6 mm) thick to ensure strength. Do not add mesh tape into the wedi Joint Sealant; this may put the waterproofing performance at risk, and will not strengthen the sealant or system resistance against movement-related stresses. Once wedi Joint Sealant has been applied over all shower system seams, an optional water flood test may be performed in as little as 2 hours. Please ensure the sealant has cured sufficiently and has formed a skin no longer pliable or sticky leaving sealant residue upon touch. The sealant is a moisture curing product that will react to cure very slow when applied in a location with low relative humidity in the air, and it will overreact and malfunction if exposed to too much water (e.g. flood test) too early. The test should not exceed 24 hours, nor should the water level exceed the height of the perimeter seams so that the fresh sealant may continue to a full cure without too much weight added during that process. wedi recommends testing the drain connection for a proper seal. While a full surface flood test is not required for non-absorbing products like wedi, it may be required by a building inspector.

When tiling commences, no premixed (“mastic”) tile adhesives may be used over wedi systems in any wet area installation. When tiling the wedi Shower Bases, incl. extensions or ramps, tile thickness should generally be no less than 1/8 in. (3.2 mm). Choose setting materials appropriate for the type of stone, ceramic, or glass tile as well as for a wet area installation. When tiling with a square size of 2 in. × 2 in. (50.8 × 50.8 mm) or more, install using a polymer modified cement based tile adhesive and grout. **When tiling with a square size of less than 2 in. × 2 in. (50.8 × 50.8 mm), install using a polymer modified cement based tile adhesive and use a 100% solids epoxy grout. When tiling with a square size of 1 in. × 1 in. (25.4 × 25.4 mm) or less, install using a 100% solids epoxy tile adhesive and grout. Only non-flat bottom pebble stone installations, including small mosaics, may be installed using polymer modified cement based tile adhesive and grout if the mortar fully supports the tiles rounded undersides. All flat bottom pebble stone installation are subject to the general tile size based setting materials recommendation outlined above. When installing non-square tile, the length of the shortest tile edge(s) are considered as its square size for the purpose of determining the choice of the setting materials as outlined above.**

All tile installations designed to receive heavier point loads (i.e. wheelchair use) must be grouted using 100% solids epoxy grout. Large format tile may be installed over wedi Fundo shower bases. Cuts may have to be made in consideration of the base’s slope lines and so that the tile can always be fully supported by the tile adhesive setting bed, and the surface of the wedi Base. Refer to TCNA guidelines for setting material coverage required by the tile being installed. Use only solvent and acid-free cleaners and sealers on tile, and grout installed over wedi product, and apply only in amounts needed to treat the surface materials without drenching the substrate. Follow setting materials manufacturer’s recommendations, and contact wedi with any questions, or regarding applications not covered here.